







**Fitting for top-running wooden doors up to 120 kg (264 lbs.), with surface mounted running track. Optionally with soft and self closing mechanism. Wall or ceiling mounting.**

**Product highlights**

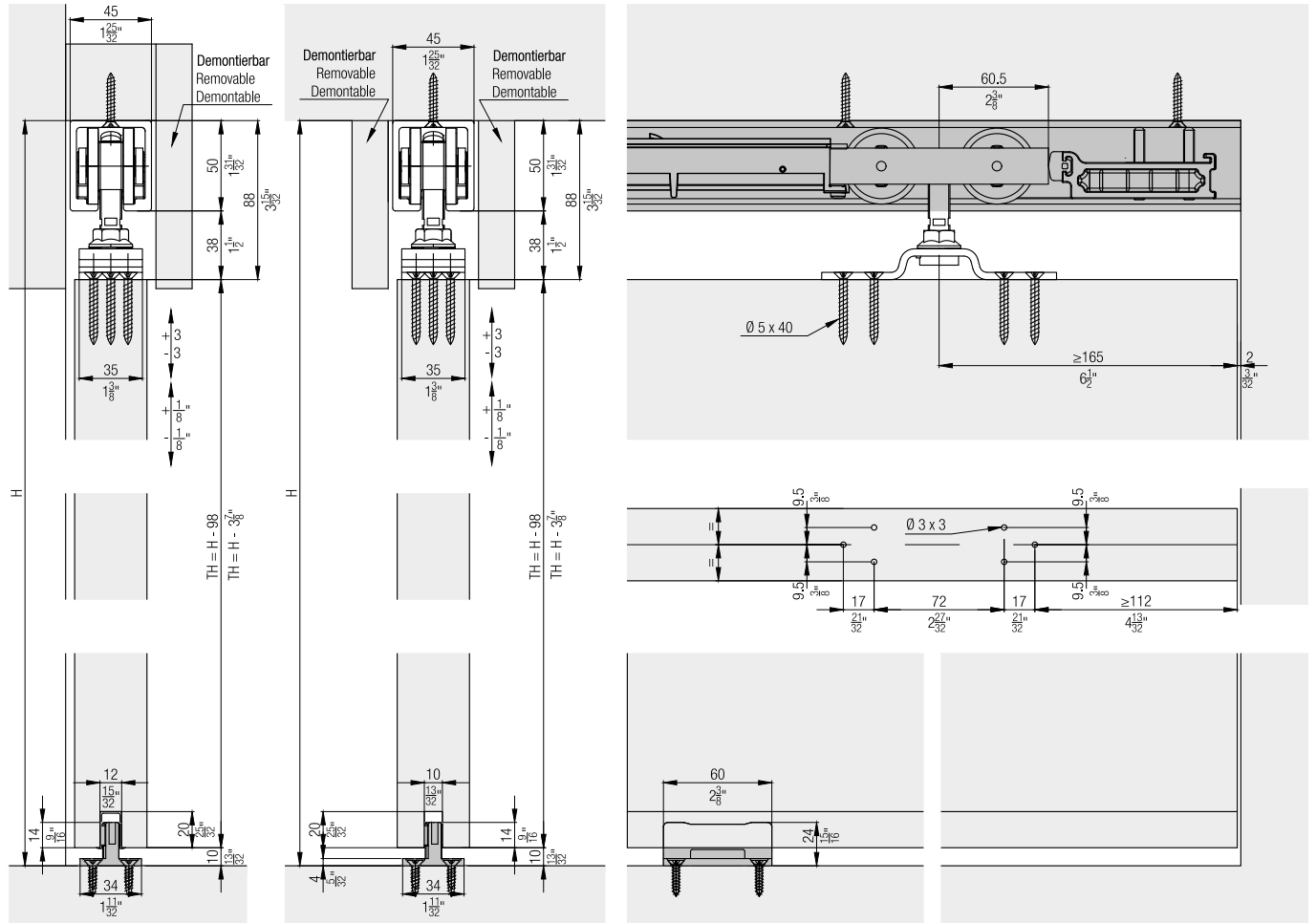
-  **Comfort** High quality, long-lasting friction bearing for quiet, smooth running, even with heavier weights
-  **Flexibility** Steel suspension bracket for screw fixing or welding

**Technical specifications**

-  Max. 120 kg (264 lbs.)
-  Max. 4000 mm (13'1 15/32")
-  Max. 3000 mm (9'10 1/8")
-  35–80 mm (1 3/8" to 3 5/32")



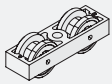
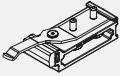
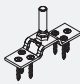
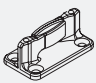

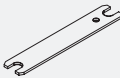
**Installation examples**




**Set for 1 wooden door up to 120 kg (264 lbs.)**

	No.
Hawa Junior 120 A, for 1 door	25907
Hawa Junior 120 A, with 2 track stoppers, for 1 door	26041

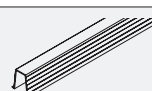
**Set consisting of:**

	25907	26041	No.
 Two-wheeled running gear, M12, plastic wheels	2	2	25900
 Track stopper, with adjustable retention spring	1	2	14858
 Top fixing plate, with suspension bolt M12 and fixing screws	2	2	14859
 Bottom guide, zero tolerance, groove width 10 mm (13/32"), plastic black	1	1	14427
 Screw-on rubber door stop	1	1	10629
 Suspension assembly locking wrench	1	1	14861

**Running tracks**


	mm (inch)	No.
	2,500 (8' 2 7/16")	14866
	3,000 (9' 10 1/8")	14867
	4,000 (13' 1 15/32")	14868
	6,000 (19' 8 7/32")	14869
	cut to size	14871

**Guide tracks**




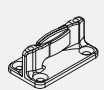
	mm (inch)	No.
 Guide track, for groove mounting, plastic, 10-piece set	1,300 (4' 3 3/16")	14540

**Soft close SoftMove 120**

For soft closing in opening and closing direction order 2 sets.

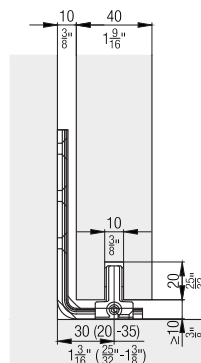
	No.
 Soft close SoftMove 120	25988

**Accessories**

	No.
 Bottom door stopper, with centering, chrome-plated, matt	20773
 Bottom door stopper, with centering, stainless steel look	21473
 Hawa SoundEX for Hawa Junior 120, includes fixing parts for running track	19590
 Bottom guide, rattle proof, groove width 10 mm (13/32"), plastic, black, 10-piece set	25958

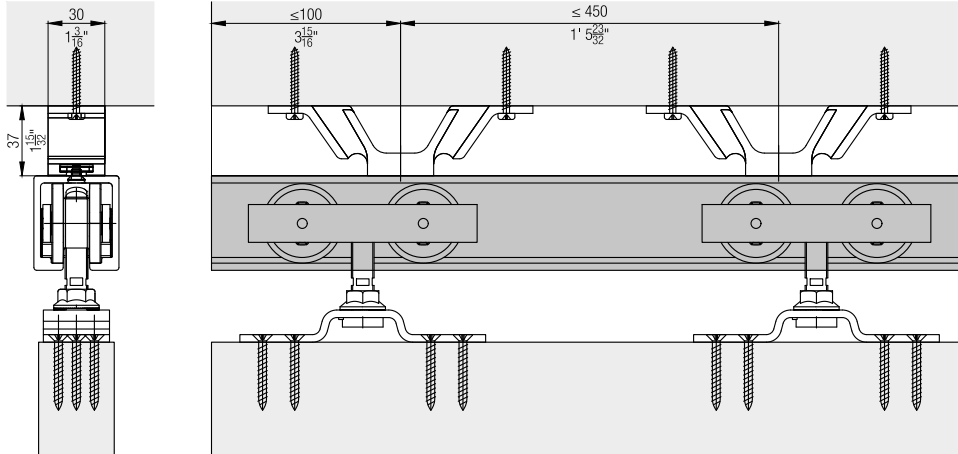
**Hawa Confort 120**

The convenient solution for inadequate fastening options in brittle sub-floors or in the area of floor heating. This bottom guide is mounted on the wall. Details and accessories from page 476.

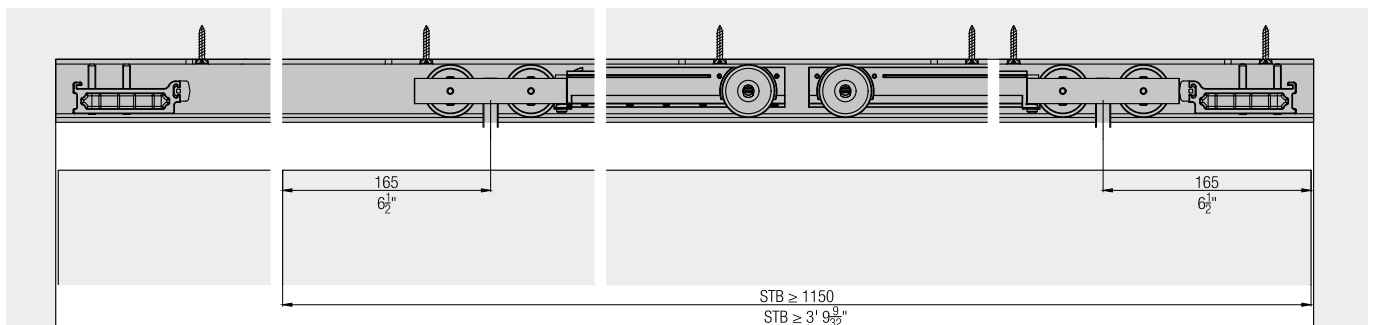
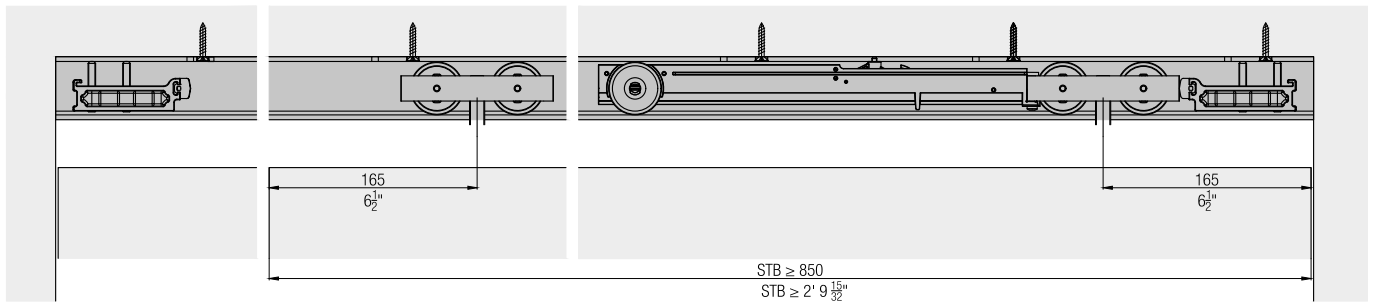


**Hawa SoundEx**

Contains the transmission of structure-borne noise from a sliding system to the building.



**SoftMove 120 soft closing mechanism**



**Accessories**

- Hawa Junior bottom guides for wall mounting from page 476
- Lock solutions from page 479
- General accessories from page 487

**Planning/execution**

Further information about the product can be found on [www.hawa.com](http://www.hawa.com).